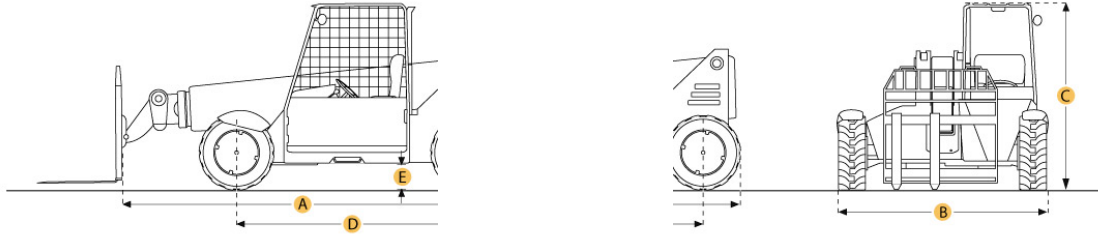


RITCHIE Specs Everything about Equipment

JLG G10-55A TELESCOPIC FORKLIFT

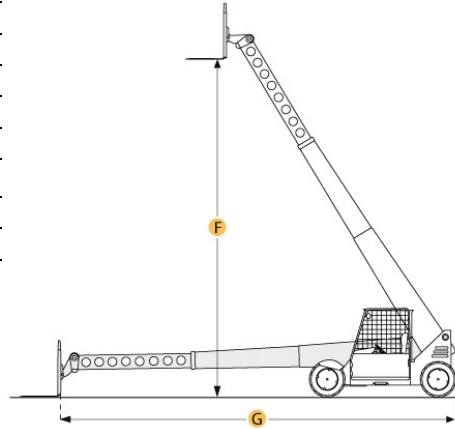


Dimensions

A. LENGTH TO FORK FACE	20 ft in	6090 mm
B. WIDTH OVER TIRES	8.4 ft in	2560 mm
C. OVERALL HEIGHT	8.4 ft in	2560 mm
D. WHEELBASE	12 ft in	3650 mm
E. GROUND CLEARANCE	18 ft in	457 mm

Lift

F. MAX LIFT HEIGHT	55.1 ft in	16800 mm
G. MAX FORWARD REACH	42 ft in	12800 mm



RITCHIE Specs

Everything about Equipment

JLG G10-55A TELESCOPIC FORKLIFT

Specification

Engine

MAKE	John Deere	
MODEL	e 4045TF275	
GROSS POWER	124.7 hp	93 kw
DISPLACEMENT	274.6 cu in	4.5 L
ASPIRATION	turbocharged	

Operational

OPERATING WEIGHT	34400 lb	15603.6 kg
FUEL CAPACITY	38 gal	144 L
HYDRAULIC SYSTEM FLUID CAPACITY	57 gal	215.7 L
OPERATING VOLTAGE	12 V	
ALTERNATOR SUPPLIED AMPERAGE	65 amps	
DRAWBAR PULL	20000 lb	9071.8 kg
TIRE SIZE	14.00x24 12PR	

Transmission

TYPE	ZF WG98 powershift	
NUMBER OF FORWARD GEARS	4	
NUMBER OF REVERSE GEARS	3	
MAX SPEED - FORWARD	19.9 mph	32 km/h

Hydraulic

PUMP TYPE	load sensing piston pump	
-----------	--------------------------	--

Lift

MAX LIFT CAPACITY	10000 lb	4535.9 kg
MAX LIFT HEIGHT	55.1 ft in	16800 mm
MAX LOAD AT MAX HEIGHT	5000 lb	2268 kg
MAX FORWARD REACH	42 ft in	12800 mm
MAX LOAD AT MAX REACH	3000 lb	1360.8 kg

Dimensions

LENGTH TO FORK FACE	20 ft in	6090 mm
WIDTH OVER TIRES	8.4 ft in	2560 mm
OVERALL HEIGHT	8.4 ft in	2560 mm
WHEELBASE	12 ft in	3650 mm
GROUND CLEARANCE	18 ft in	457 mm
TURNING RADIUS OUTSIDE TIRES	14 ft in	4270 mm

