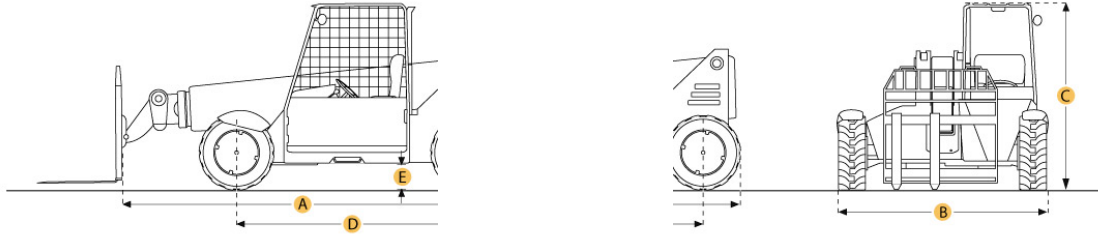


RITCHIE Specs

Everything about Equipment

JLG 534D9-45 TELESCOPIC FORKLIFT

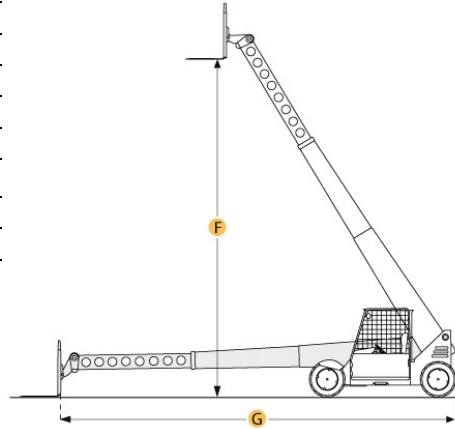


Dimensions

A. LENGTH TO FORK FACE	19.8 ft in	6020 mm
B. WIDTH OVER TIRES	8.1 ft in	2460 mm
C. OVERALL HEIGHT	7.8 ft in	2380 mm
D. WHEELBASE	11.2 ft in	3420 mm
E. GROUND CLEARANCE	1.6 ft in	483 mm

Lift

F. MAX LIFT HEIGHT	44.9 ft in	13700 mm
G. MAX FORWARD REACH	31.5 ft in	9600 mm



RITCHIE Specs Everything about Equipment

JLG 534D9-45 TELESCOPIC FORKLIFT

Specification

Engine		
MAKE	Cummins	
MODEL	QSB4.5	
GROSS POWER	110 hp	82 kw
POWER MEASURED @	2400 rpm	
NUMBER OF CYLINDERS	4	
DISPLACEMENT	274.6 cu in	4.5 L
ASPIRATION	turbocharge	
Operational		
OPERATING WEIGHT	25249.5 lb	11453 kg
FUEL CAPACITY	38 gal	144 L
OPERATING VOLTAGE	12 V	
ALTERNATOR SUPPLIED AMPERAGE	65 amps	
DRAWBAR PULL	20000.3 lb	9072 kg
TIRE SIZE	13.0x24-12PR	
Transmission		
TYPE	hydrostatic	
MAX SPEED - FORWARD	18 mph	29 km/h
Hydraulic		
PUMP TYPE	single-section gear	
PUMP FLOW CAPACITY	40 gal/min	151.4 L/min
Lift		
MAX LIFT CAPACITY	8999.3 lb	4082 kg
MAX LIFT HEIGHT	44.9 ft in	13700 mm
MAX LOAD AT MAX HEIGHT	6999.7 lb	3175 kg
MAX FORWARD REACH	31.5 ft in	9600 mm
MAX LOAD AT MAX REACH	1499.1 lb	680 kg
Dimensions		
LENGTH TO FORK FACE	19.8 ft in	6020 mm
WIDTH OVER TIRES	8.1 ft in	2460 mm
OVERALL HEIGHT	7.8 ft in	2380 mm
WHEELBASE	11.2 ft in	3420 mm
GROUND CLEARANCE	1.6 ft in	483 mm
TURNING RADIUS OUTSIDE TIRES	14.4 ft in	4390 mm