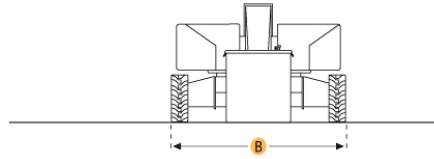
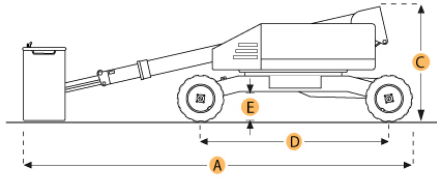


RITCHIE Specs

Everything about Equipment

JLG E450A BOOM LIFT

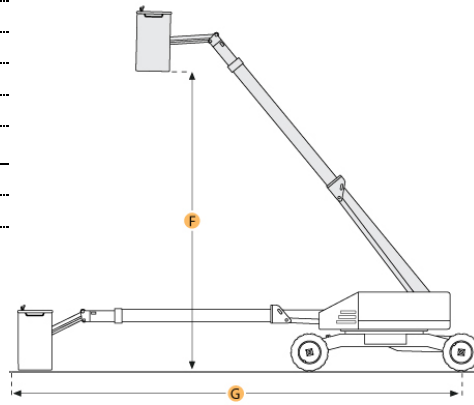


Dimensions

A. OVERALL LENGTH	19.1 ft in	5820 mm
B. OVERALL WIDTH	5.7 ft in	1750 mm
C. OVERALL HEIGHT - MAST LOWERED	6.5 ft in	1980 mm
D. WHEELBASE	6.6 ft in	2000 mm
E. GROUND CLEARANCE	8.7 in	220 mm

Platform

F. MAX PLATFORM HEIGHT	45 ft in	13720 mm
G. MAX HORIZONTAL REACH	23.1 ft in	7040 mm



RITCHIE Specs Everything about Equipment

JLG E450A BOOM LIFT

Specification

Engine		
SYSTEM VOLTAGE	48 V	
NUMBER OF BATTERIES	8	
BATTERY AMP HOURS	370	
Operational		
OPERATING WEIGHT	12599.4 lb	5715 kg
MAX SPEED	3.2 mph	5.2 km/h
TIRE SIZE	240/55-17.5	
TIRE FILL/TYPE	pneumatic	
Platform		
MAX WORKING HEIGHT	ft in	mm
MAX PLATFORM HEIGHT	45 ft in	13720 mm
MAX HORIZONTAL REACH	23.1 ft in	7040 mm
MAX PLATFORM WEIGHT CAPACITY	500.4 lb	227 kg
PLATFORM LENGTH	59.8 in	1520 mm
PLATFORM WIDTH	29.9 in	760 mm
PLATFORM ROTATION	180 degrees	
Dimensions		
OVERALL LENGTH	19.1 ft in	5820 mm
OVERALL WIDTH	5.7 ft in	1750 mm
OVERALL HEIGHT - MAST LOWERED	6.5 ft in	1980 mm
WHEELBASE	6.6 ft in	2000 mm
TURNING RADIUS	10.3 ft in	3150 mm
GROUND CLEARANCE	8.7 in	220 mm