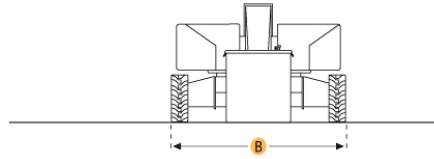
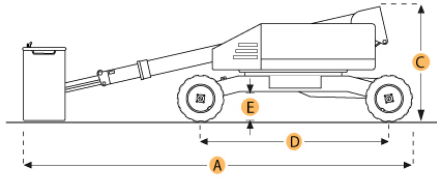


# RITCHIE Specs

Everything about Equipment

## JLG 1350SJP BOOM LIFT

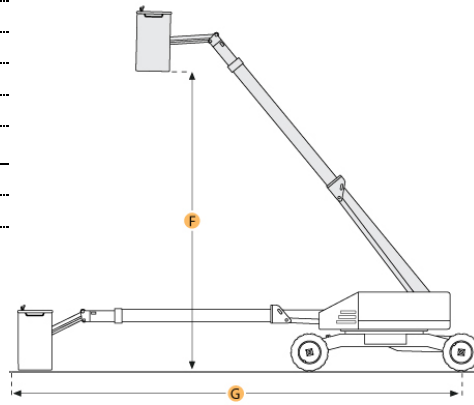


### Dimensions

|                                  |            |          |
|----------------------------------|------------|----------|
| A. OVERALL LENGTH                | 38.9 ft in | 11860 mm |
| B. OVERALL WIDTH                 | 8.2 ft in  | 2490 mm  |
| C. OVERALL HEIGHT - MAST LOWERED | 10 ft in   | 3050 mm  |
| D. WHEELBASE                     | 12.5 ft in | 3810 mm  |
| E. GROUND CLEARANCE              | 11.8 in    | 300 mm   |

### Platform

|                         |           |          |
|-------------------------|-----------|----------|
| F. MAX PLATFORM HEIGHT  | 135 ft in | 41150 mm |
| G. MAX HORIZONTAL REACH | 80 ft in  | 24380 mm |



# RITCHIE Specs Everything about Equipment

## JLG 1350SJP BOOM LIFT

### Specification

| <b>Engine</b>                   |                |          |
|---------------------------------|----------------|----------|
| MAKE                            | Deutz          |          |
| MODEL                           | BF4M 2011      |          |
| GROSS POWER                     | 87.2 hp        | 65 kw    |
| FUEL TYPE                       | Diesel         |          |
| <b>Operational</b>              |                |          |
| OPERATING WEIGHT                | 44998.5 lb     | 20411 kg |
| FUEL CAPACITY                   | 30.9 gal       | 117 L    |
| HYDRAULIC SYSTEM FLUID CAPACITY | 54.9 gal       | 208 L    |
| MAX SPEED                       | 3.2 mph        | 5.2 km/h |
| TIRE SIZE                       | 445/50D710     |          |
| TIRE FILL/TYPE                  | Foam/Lug Tread |          |
| <b>Platform</b>                 |                |          |
| MAX WORKING HEIGHT              | ft in          | mm       |
| MAX PLATFORM HEIGHT             | 135 ft in      | 41150 mm |
| MAX HORIZONTAL REACH            | 80 ft in       | 24380 mm |
| MAX PLATFORM WEIGHT CAPACITY    | 1000.9 lb      | 454 kg   |
| PLATFORM LENGTH                 | 96.1 in        | 2440 mm  |
| PLATFORM WIDTH                  | 35.8 in        | 910 mm   |
| PLATFORM ROTATION               | 180 degrees    |          |
| <b>Dimensions</b>               |                |          |
| OVERALL LENGTH                  | 38.9 ft in     | 11860 mm |
| OVERALL WIDTH                   | 8.2 ft in      | 2490 mm  |
| OVERALL HEIGHT - MAST LOWERED   | 10 ft in       | 3050 mm  |
| WHEELBASE                       | 12.5 ft in     | 3810 mm  |
| TURNING RADIUS                  | 22.5 ft in     | 6860 mm  |
| GROUND CLEARANCE                | 11.8 in        | 300 mm   |