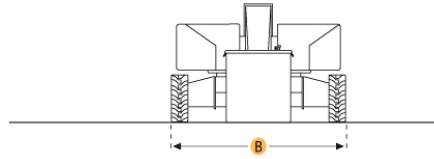
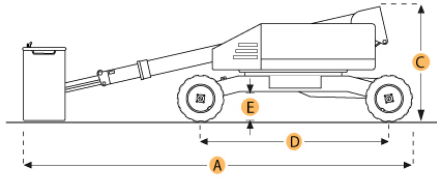


RITCHIE Specs *Everything about Equipment*

JLG 1250AJP BOOM LIFT

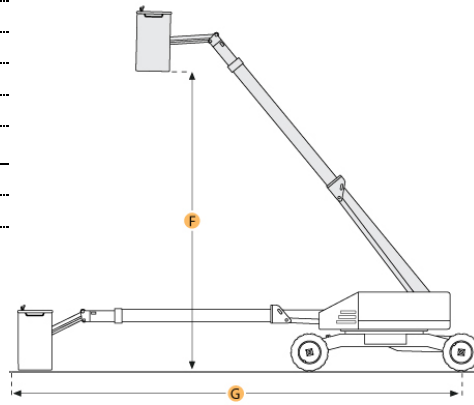


Dimensions

A. OVERALL LENGTH	37.6 ft in	11450 mm
B. OVERALL WIDTH	8.2 ft in	2490 mm
C. OVERALL HEIGHT - MAST LOWERED	10 ft in	3050 mm
D. WHEELBASE	12.5 ft in	3810 mm
E. GROUND CLEARANCE	11.8 in	300 mm

Platform

F. MAX PLATFORM HEIGHT	125 ft in	38100 mm
G. MAX HORIZONTAL REACH	63.2 ft in	19250 mm



RITCHIE Specs Everything about Equipment

JLG 1250AJP BOOM LIFT

Specification

Engine		
MAKE	Deutz	
MODEL	BF4M 2011	
GROSS POWER	87.2 hp	65 kw
FUEL TYPE	Diesel	
Operational		
OPERATING WEIGHT	43999.9 lb	19958 kg
FUEL CAPACITY	30.9 gal	117 L
HYDRAULIC SYSTEM FLUID CAPACITY	54.9 gal	208 L
MAX SPEED	3.2 mph	5.2 km/h
TIRE SIZE	445/50D710	
TIRE FILL/TYPE	Foam/Lug Tread	
Platform		
MAX WORKING HEIGHT	ft in	mm
MAX PLATFORM HEIGHT	125 ft in	38100 mm
MAX HORIZONTAL REACH	63.2 ft in	19250 mm
MAX PLATFORM WEIGHT CAPACITY	1000.9 lb	454 kg
PLATFORM LENGTH	96.1 in	2440 mm
PLATFORM WIDTH	35.8 in	910 mm
PLATFORM ROTATION	180 degrees	
Dimensions		
OVERALL LENGTH	37.6 ft in	11450 mm
OVERALL WIDTH	8.2 ft in	2490 mm
OVERALL HEIGHT - MAST LOWERED	10 ft in	3050 mm
WHEELBASE	12.5 ft in	3810 mm
TURNING RADIUS	22.5 ft in	6860 mm
GROUND CLEARANCE	11.8 in	300 mm